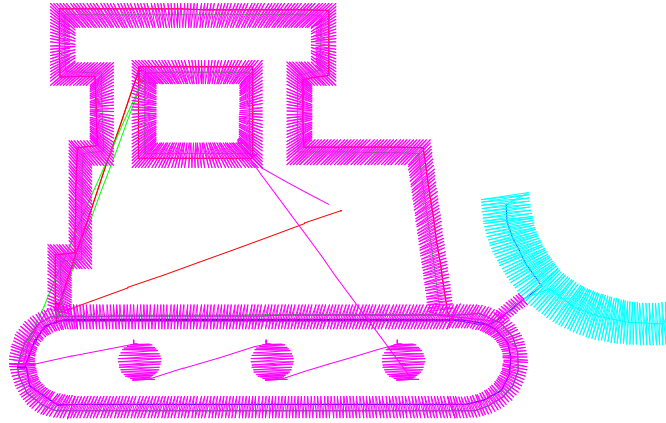


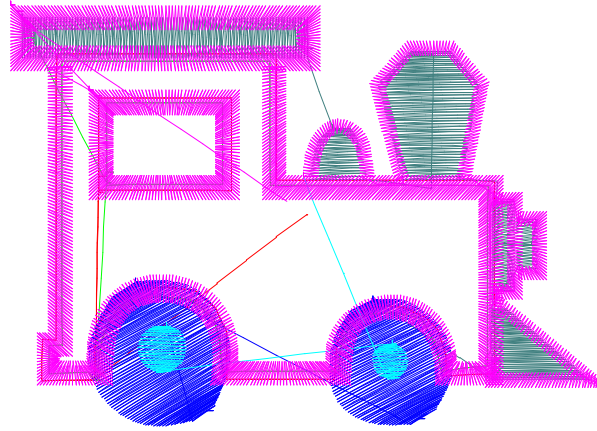
DESIGN NAME	CUSTOMER	DISK FORMAT		DATE	STITCH COUNT	DESIGN SIZE ENGLISH
SAN 1				N/A	N/A	SCALABLE
FILE NAME	SEW TIME	COLORS	TRIMS	BOBBIN USAGE		DESIGN SIZE METRIC
SandboxA_Cement Mixer	N/A	6	N/A	N/A		SCALABLE

COLOR SEQUENCE					
#	DESIGN SEGMENT	COLOR	THREAD ID	STITCH COUNT	THREAD USAGE
1	Initial tack down			0	0.00 y / 0.00 m
2	Final tack down			0	1.18 y / 1.08 m
3	Windshield			0	1.29 y / 1.18 m
4	Tires			0	2.47 y / 2.26 m
5	Wheels			0	6.87 y / 6.28 m
6	Satins and details			0	1.03 y / 0.94 m

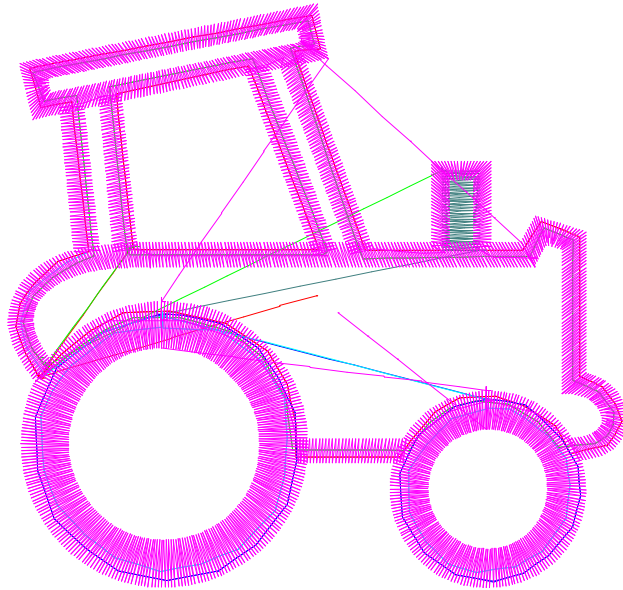
APPAREL									
#	APPAREL TYPE	COLOR	S	M	L	XL	XXL	XXXL	PLACEMENT
1			0	0	0	0	0	0	
2			0	0	0	0	0	0	
3			0	0	0	0	0	0	
4			0	0	0	0	0	0	



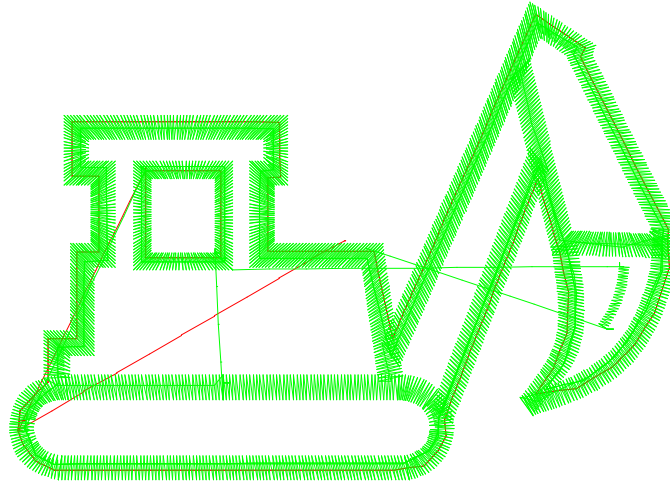
DESIGN NAME	CUSTOMER	DISK FORMAT	DATE	STITCH COUNT	DESIGN SIZE ENGLISH				
SAN 2			N/A	N/A	SCALABLE				
FILE NAME	SEW TIME	COLORS	TRIMS	BOBBIN USAGE	DESIGN SIZE METRIC				
SandboxB_Bulldozer.dst	N/A	6	N/A	N/A	SCALABLE				
COLOR SEQUENCE									
#	DESIGN SEGMENT	COLOR	THREAD ID	STITCH COUNT	THREAD USAGE				
1	Initial Tack down			266	0.00 y / 0.00 m				
2	Final tack down			252	3.56 y / 3.26 m				
3	Initial tack down track			419	3.31 y / 3.03 m				
4	Final tack down track			1094	5.50 y / 5.03 m				
5	Blade			184	14.44 y / 13.21 m				
6	Satin outline & detail			1821	4.01 y / 3.66 m				
APPAREL									
#	APPAREL TYPE	COLOR	S	M	L	XL	XXL	XXXL	PLACEMENT
1			0	0	0	0	0	0	
2			0	0	0	0	0	0	
3			0	0	0	0	0	0	
4			0	0	0	0	0	0	



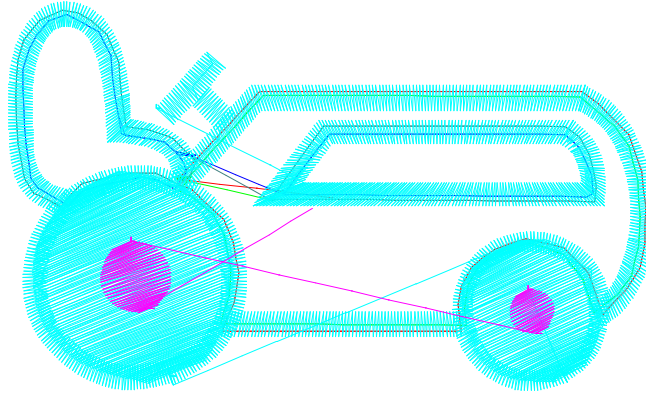
DESIGN NAME	CUSTOMER	DISK FORMAT	DATE	STITCH COUNT	DESIGN SIZE ENGLISH				
SAN 3			N/A	N/A	SCALABLE				
FILE NAME	SEW TIME	COLORS	TRIMS	BOBBIN USAGE	DESIGN SIZE METRIC				
SandboxC_Train.dst	N/A	6	N/A	N/A	SCALABLE				
COLOR SEQUENCE									
#	DESIGN SEGMENT	COLOR	THREAD ID	STITCH COUNT	THREAD USAGE				
1	Initial tack down			288	0.00 y / 0.00 m				
2	Final tack down			192	4.88 y / 4.47 m				
3	Stack catcher etc fill			113	4.48 y / 4.10 m				
4	Wheels			135	11.50 y / 10.52 m				
5	Hubs			180	20.95 y / 19.15 m				
6	Satins			2021	4.76 y / 4.36 m				
APPAREL									
#	APPAREL TYPE	COLOR	S	M	L	XL	XXL	XXXL	PLACEMENT
1			0	0	0	0	0	0	
2			0	0	0	0	0	0	
3			0	0	0	0	0	0	
4			0	0	0	0	0	0	



DESIGN NAME		CUSTOMER	DISK FORMAT		DATE	STITCH COUNT		DESIGN SIZE ENGLISH	
SAN 4					N/A	N/A		SCALABLE	
FILE NAME		SEW TIME	COLORS	TRIMS	BOBBIN USAGE		DESIGN SIZE METRIC		
SandboxD_Tractor.dst		N/A	6	N/A	N/A		SCALABLE		
COLOR SEQUENCE									
#	DESIGN SEGMENT	COLOR	THREAD ID		STITCH COUNT		THREAD USAGE		
1	Initial tack down				325		0.00 y / 0.00 m		
2	Final tack down				274		6.43 y / 5.88 m		
3	Stack				1056		6.06 y / 5.54 m		
4	Initial tack down wheels				1077		12.13 y / 11.10 m		
5	Final tack down wheels				151		21.76 y / 19.90 m		
6	Satin outline and details				2628		5.60 y / 5.12 m		
APPAREL									
#	APPAREL TYPE	COLOR	S	M	L	XL	XXL	XXXL	PLACEMENT
1			0	0	0	0	0	0	
2			0	0	0	0	0	0	
3			0	0	0	0	0	0	
4			0	0	0	0	0	0	



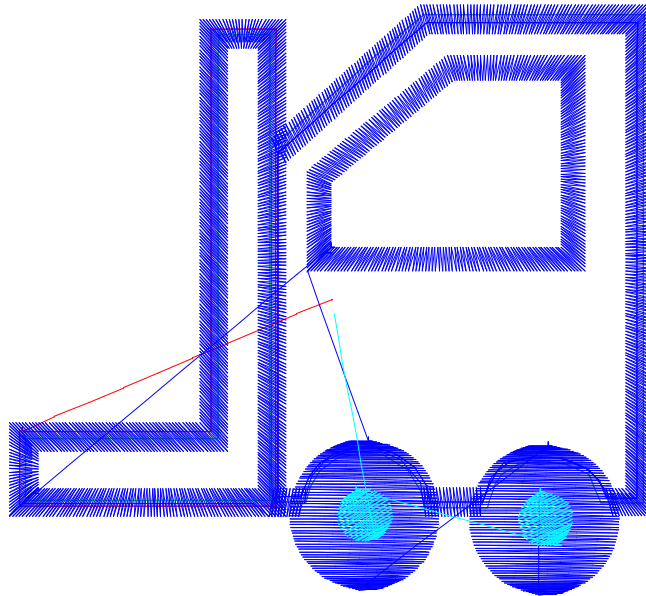
DESIGN NAME		CUSTOMER	DISK FORMAT		DATE	STITCH COUNT		DESIGN SIZE ENGLISH	
SAN 5					N/A	N/A		SCALABLE	
FILE NAME		SEW TIME	COLORS	TRIMS	BOBBIN USAGE		DESIGN SIZE METRIC		
SandboxE_BackHoe.dst		N/A	2	N/A	N/A		SCALABLE		
COLOR SEQUENCE									
#	DESIGN SEGMENT	COLOR	THREAD ID		STITCH COUNT		THREAD USAGE		
1	Initial tack down				340		0.00 y / 0.00 m		
2	Final tack down and satins				356		8.16 y / 7.46 m		
APPAREL									
#	APPAREL TYPE	COLOR	S	M	L	XL	XXL	XXXL	PLACEMENT
1			0	0	0	0	0	0	
2			0	0	0	0	0	0	
3			0	0	0	0	0	0	
4			0	0	0	0	0	0	



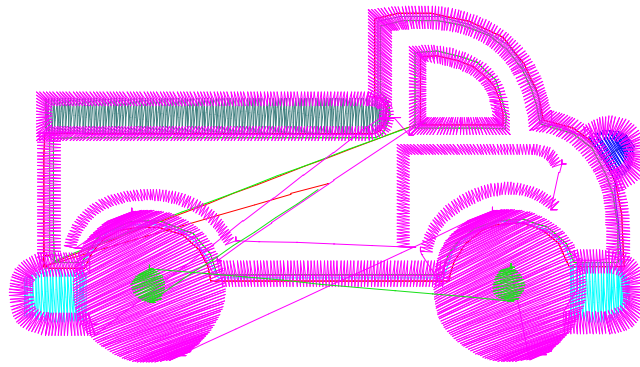
DESIGN NAME	CUSTOMER	DISK FORMAT	DATE	STITCH COUNT	DESIGN SIZE ENGLISH
SAN 6			N/A	N/A	SCALABLE
FILE NAME	SEW TIME	COLORS	TRIMS	BOBBIN USAGE	DESIGN SIZE METRIC
SandboxF_Tractor	N/A	6	N/A	N/A	SCALABLE

COLOR SEQUENCE					
#	DESIGN SEGMENT	COLOR	THREAD ID	STITCH COUNT	THREAD USAGE
1	Initial tack down body			381	0.00 y / 0.00 m
2	Final tack down body			3144	8.89 y / 8.13 m
3	Initial tack down seat and insert			150	25.92 y / 23.70 m
4	Final tack down seat and insert			208	12.87 y / 11.77 m
5	Satin Outlines and detail			213	22.46 y / 20.53 m
6	Hubs			2830	30.52 y / 27.91 m

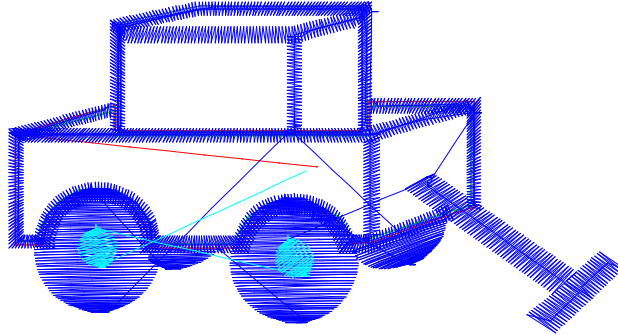
APPAREL									
#	APPAREL TYPE	COLOR	S	M	L	XL	XXL	XXXL	PLACEMENT
1			0	0	0	0	0	0	
2			0	0	0	0	0	0	
3			0	0	0	0	0	0	
4			0	0	0	0	0	0	



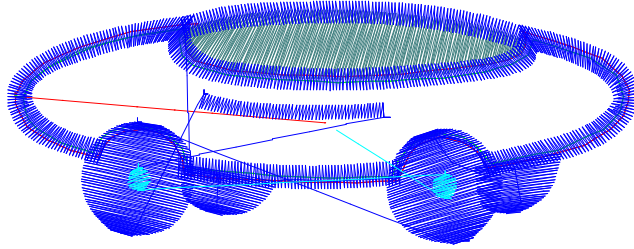
DESIGN NAME		CUSTOMER	DISK FORMAT		DATE	STITCH COUNT		DESIGN SIZE ENGLISH	
SAN 7					N/A	N/A		SCALABLE	
FILE NAME		SEW TIME	COLORS	TRIMS	BOBBIN USAGE		DESIGN SIZE METRIC		
SandboxG_Forklift.dst		N/A	5	N/A	N/A		SCALABLE		
COLOR SEQUENCE									
#	DESIGN SEGMENT	COLOR	THREAD ID		STITCH COUNT		THREAD USAGE		
1	Initial tack down lift				164		0.00 y / 0.00 m		
2	Final tack down lift				155		9.71 y / 8.88 m		
3	Initial tack down body				178		26.71 y / 24.42 m		
4	Final tack down body & satins				159		13.73 y / 12.56 m		
5	Hubs				3966		48.17 y / 44.04 m		
APPAREL									
#	APPAREL TYPE	COLOR	S	M	L	XL	XXL	XXXL	PLACEMENT
1			0	0	0	0	0	0	
2			0	0	0	0	0	0	
3			0	0	0	0	0	0	
4			0	0	0	0	0	0	



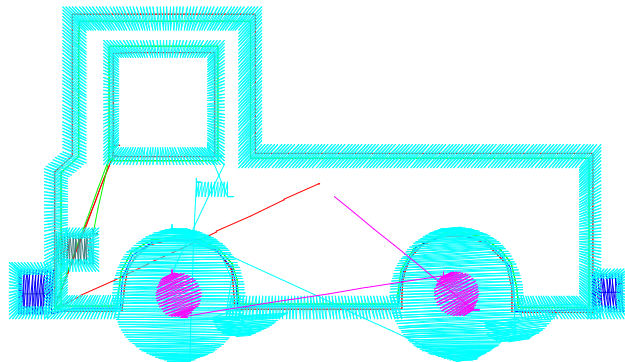
DESIGN NAME	CUSTOMER	DISK FORMAT		DATE	STITCH COUNT	DESIGN SIZE ENGLISH			
SAN 8				N/A	N/A	SCALABLE			
FILE NAME	SEW TIME	COLORS	TRIMS	BOBBIN USAGE		DESIGN SIZE METRIC			
SandboxH_Truck.dst	N/A	7	N/A	N/A		SCALABLE			
COLOR SEQUENCE									
#	DESIGN SEGMENT	COLOR	THREAD ID	STITCH COUNT	THREAD USAGE				
1	Initial tack down			160	0.00 y / 0.00 m				
2	Final tack down			137	10.88 y / 9.95 m				
3	Bed fill			157	27.82 y / 25.44 m				
4	Headlight			3659	15.94 y / 14.58 m				
5	Bumpers			166	48.49 y / 44.34 m				
6	Satins and details			199	32.85 y / 30.04 m				
7	Hubs			0	92.64 y / 84.71 m				
APPAREL									
#	APPAREL TYPE	COLOR	S	M	L	XL	XXL	XXXL	PLACEMENT
1			0	0	0	0	0	0	
2			0	0	0	0	0	0	
3			0	0	0	0	0	0	
4			0	0	0	0	0	0	



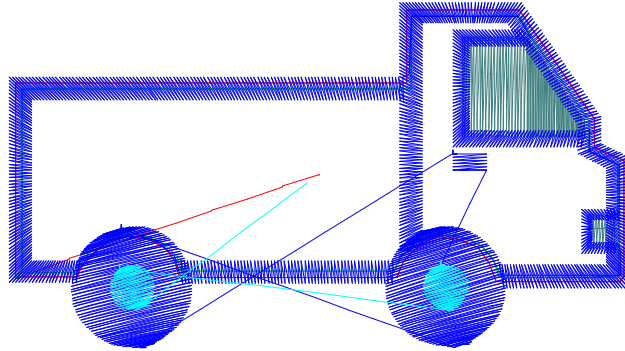
DESIGN NAME		CUSTOMER	DISK FORMAT		DATE	STITCH COUNT		DESIGN SIZE ENGLISH	
SAN 9					N/A	N/A		SCALABLE	
FILE NAME		SEW TIME	COLORS	TRIMS	BOBBIN USAGE		DESIGN SIZE METRIC		
Sandboxl_Wagon		N/A	5	N/A	N/A		SCALABLE		
COLOR SEQUENCE									
#	DESIGN SEGMENT	COLOR	THREAD ID		STITCH COUNT		THREAD USAGE		
1	Initial tack down wagon				291		0.00 y / 0.00 m		
2	Final tack down wagon				261		11.61 y / 10.61 m		
3	Initial tack down box				474		28.49 y / 26.05 m		
4	Final tack down box & satins				64		16.31 y / 14.91 m		
5	Hubs				244		64.11 y / 58.62 m		
APPAREL									
#	APPAREL TYPE	COLOR	S	M	L	XL	XXL	XXXL	PLACEMENT
1			0	0	0	0	0	0	
2			0	0	0	0	0	0	
3			0	0	0	0	0	0	
4			0	0	0	0	0	0	



DESIGN NAME	CUSTOMER	DISK FORMAT	DATE	STITCH COUNT	DESIGN SIZE ENGLISH				
SAN 10			N/A	N/A	SCALABLE				
FILE NAME	SEW TIME	COLORS	TRIMS	BOBBIN USAGE	DESIGN SIZE METRIC				
SandboxJ_UFO.dst	N/A	5	N/A	N/A	SCALABLE				
COLOR SEQUENCE									
#	DESIGN SEGMENT	COLOR	THREAD ID	STITCH COUNT	THREAD USAGE				
1	Initial Tack down			166	0.00 y / 0.00 m				
2	Final tack down			136	12.43 y / 11.36 m				
3	Center fill			63	29.25 y / 26.75 m				
4	Satins and wheels			3200	19.90 y / 18.20 m				
5	Hubs			148	77.04 y / 70.45 m				
APPAREL									
#	APPAREL TYPE	COLOR	S	M	L	XL	XXL	XXXL	PLACEMENT
1			0	0	0	0	0	0	
2			0	0	0	0	0	0	
3			0	0	0	0	0	0	
4			0	0	0	0	0	0	



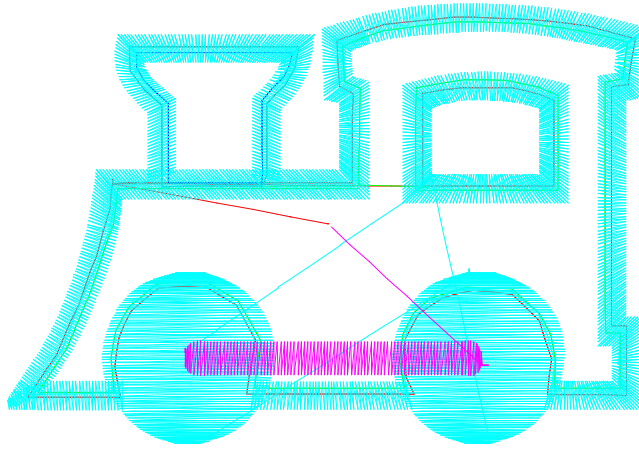
DESIGN NAME	CUSTOMER	DISK FORMAT	DATE	STITCH COUNT	DESIGN SIZE ENGLISH				
SAN 11			N/A	N/A	SCALABLE				
FILE NAME	SEW TIME	COLORS	TRIMS	BOBBIN USAGE	DESIGN SIZE METRIC				
SandboxK_Truck	N/A	6	N/A	N/A	SCALABLE				
COLOR SEQUENCE									
#	DESIGN SEGMENT	COLOR	THREAD ID	STITCH COUNT	THREAD USAGE				
1	Initial tack down			216	0.00 y / 0.00 m				
2	Final tack down			172	13.76 y / 12.58 m				
3	Lights			627	30.47 y / 27.86 m				
4	Bumpers			2316	20.13 y / 18.40 m				
5	Satins and details			122	77.72 y / 71.07 m				
6	Hubs			3650	49.79 y / 45.53 m				
APPAREL									
#	APPAREL TYPE	COLOR	S	M	L	XL	XXL	XXXL	PLACEMENT
1			0	0	0	0	0	0	
2			0	0	0	0	0	0	
3			0	0	0	0	0	0	
4			0	0	0	0	0	0	



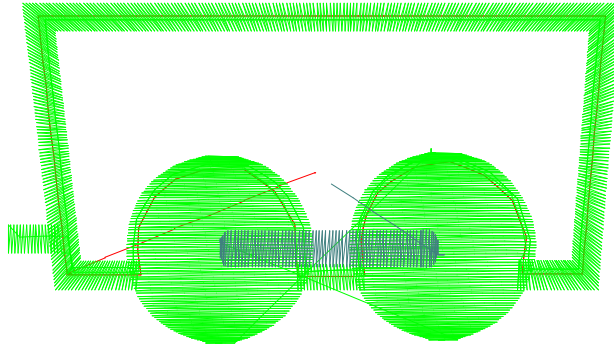
DESIGN NAME	CUSTOMER	DISK FORMAT	DATE	STITCH COUNT	DESIGN SIZE ENGLISH
SAN 12			N/A	N/A	SCALABLE
FILE NAME	SEW TIME	COLORS	TRIMS	BOBBIN USAGE	DESIGN SIZE METRIC
SandboxL_Dumptruck.dst	N/A	5	N/A	N/A	SCALABLE

COLOR SEQUENCE					
#	DESIGN SEGMENT	COLOR	THREAD ID	STITCH COUNT	THREAD USAGE
1	Initial tack down			314	0.00 y / 0.00 m
2	Final tack down			268	14.73 y / 13.47 m
3	Window			40	31.55 y / 28.85 m
4	Satin outline, wheels & detail			141	22.52 y / 20.59 m
5	Hubs			2744	90.78 y / 83.01 m

APPAREL									
#	APPAREL TYPE	COLOR	S	M	L	XL	XXL	XXXL	PLACEMENT
1			0	0	0	0	0	0	
2			0	0	0	0	0	0	
3			0	0	0	0	0	0	
4			0	0	0	0	0	0	



DESIGN NAME		CUSTOMER	DISK FORMAT		DATE	STITCH COUNT		DESIGN SIZE ENGLISH	
SAN 13					N/A	N/A		SCALABLE	
FILE NAME		SEW TIME	COLORS	TRIMS	BOBBIN USAGE		DESIGN SIZE METRIC		
SandboxM_Train.dst		N/A	6	N/A	N/A		SCALABLE		
COLOR SEQUENCE									
#	DESIGN SEGMENT	COLOR	THREAD ID		STITCH COUNT		THREAD USAGE		
1	Initial tack down				202		0.00 y / 0.00 m		
2	Final tack down				204		16.23 y / 14.84 m		
3	Initial tack down smoke stack				409		32.93 y / 30.11 m		
4	Final tack down smoke stack				2250		22.81 y / 20.85 m		
5	Satin outline and details				170		91.05 y / 83.26 m		
6	Wheel linkage				154		75.27 y / 68.83 m		
APPAREL									
#	APPAREL TYPE	COLOR	S	M	L	XL	XXL	XXXL	PLACEMENT
1			0	0	0	0	0	0	
2			0	0	0	0	0	0	
3			0	0	0	0	0	0	
4			0	0	0	0	0	0	



DESIGN NAME	CUSTOMER	DISK FORMAT	DATE	STITCH COUNT	DESIGN SIZE ENGLISH
SAN 14			N/A	N/A	SCALABLE
FILE NAME	SEW TIME	COLORS	TRIMS	BOBBIN USAGE	DESIGN SIZE METRIC
SandboxN_Train Car	N/A	3	N/A	N/A	SCALABLE

COLOR SEQUENCE					
#	DESIGN SEGMENT	COLOR	THREAD ID	STITCH COUNT	THREAD USAGE
1	Initial tack down			340	0.00 y / 0.00 m
2	Final tack down & satin			282	20.27 y / 18.53 m
3	Wheel linkage			53	55.87 y / 51.09 m

APPAREL									
#	APPAREL TYPE	COLOR	S	M	L	XL	XXL	XXXL	PLACEMENT
1			0	0	0	0	0	0	
2			0	0	0	0	0	0	
3			0	0	0	0	0	0	
4			0	0	0	0	0	0	